

3G Emergency Telephone



Thank you for you purchasing J&R wireless 3G Emergency Telephone System, Please read this user manual carefully before using this product and save this manual for future use.

J&R
TECHNOLOGY



TABLE OF CONTENTS

Introduction

Welcome	2
Important Safety.....	2
Information.....	2
Unpacking	2
Your System.....	2
Optional Accessories	3

Component Names and Functions

Front View.....	3
Side View.....	3
Bottom View.....	3

Installation

Power Connection and SIM Card	3
-------------------------------------	---

System Setting

SMS Programming (Change New Password)	4
SMS Programming (Change Emergency Phone No.).....	4
SMS Programming (Change Mic. Volume.).....	4
SMS Programming (Change Speaker Volume).....	5
SMS Programming (Change Auto Hang-up Time).....	6
SMS Programming (Error Message).....	8

Specifications	8
-----------------------------	---

Note.....	8
-----------	---

INTRODUCTION

INTRODUCTION – Welcome

Thank you for purchasing J&R 3G Wireless Emergency Telephone. To ensure that you optimize the full capabilities of this product, please read this user's manual before proceeding. Be sure to keep this manual for future reference in case any problems or questions should arise. We hope you enjoy your new J&R wireless phone.

INTRODUCTION - Important Safety Information

When using your 3G phone equipment, basic safety precautions should always be followed to reduce the risk of fire, electric shock and personal injury. Please read the following before using your equipment:

1. Read and follow all instructions carefully.
2. Follow all warnings and instructions on the product.
3. Unplug the product from the host telephone equipment before cleaning. Do not use liquid cleaners or aerosol cleaners. Use a damp cloth for cleaning.
4. Do not use this product near water.
5. Do not place this product on top of a metal surface. Do not place this product on an unstable cart, stand or table.
6. Do not allow anything to rest on the power cords. Do not place this product in a location where the cords can be stepped on or where someone can trip over them.
7. Do not place this equipment near or over a radiator or any other heat source.
8. Use ONLY the power adapter supplied with the system.
9. Do not overload the wall outlet or power cord where the power adapter is installed. This can result in fire or electric shock.
10. This equipment is to be opened by ONLY a qualified service person. There are no user serviceable parts inside. Opening this equipment may expose you to dangerous voltage and other risks. Incorrect reassembly of this equipment may result in electric shock.
11. Avoid spilling liquid on this equipment and do not insert any objects through the ventilation slots.
12. Avoid using this equipment during an electrical storm. There is a remote risk of electrical shock from lightning.
13. Do not use this equipment other than for its purpose intended by the manufacturer. Use ONLY the equipment provided by the manufacturer.
14. Do not try to repair or open the Remote Station at the hazardous area.
15. If the 3G emergency phone needed to service, disconnect the power first and remove the phone from the location. Only repair the phone by the certified technicians.

INTRODUCTION –Unpacking Your System

- A. 3G Emergency Phone
- B. 3G Antenna
- C. Waterproof cable
- D. Tool Kit
- E. Mounting screws
- F. Solar mounting



3G Emergency Phone



3G Antenna



Waterproof cable



Tool Kit



Mounting screws



Solar mounting

INTRODUCTION: *Optional Accessories (Solar Power System)*

The following are optional accessories available from J&R the Solar Power System:

- A. Solar Power Panel
- B. Power Converter
- C. L-ion Battery Pack
- D. Solar Power Panel Mounting Bracket



Solar Power Panel



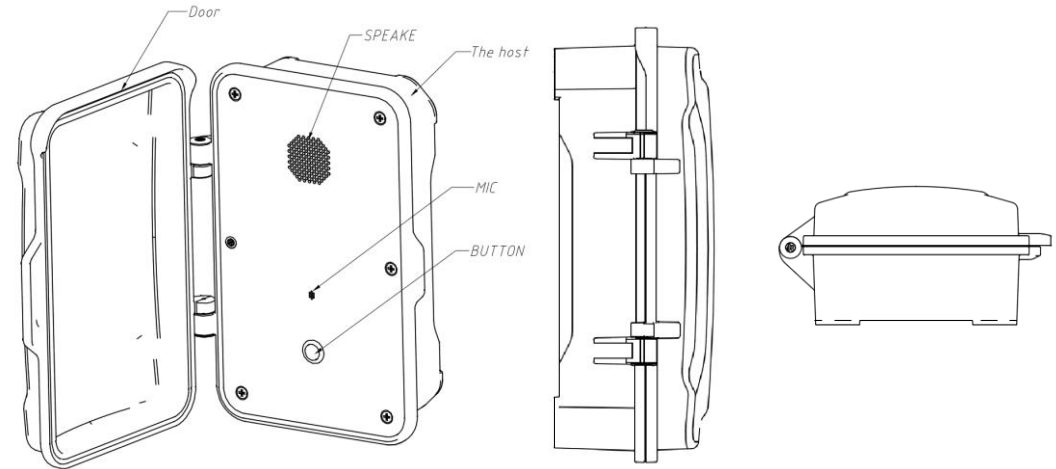
Power Converter



Li-ion Battery

COMPONENT NAMES AND FUNCTIONS

COMPONENT NAMES & FUNCTIONS



FRONT VIEW

SIDE VIEW

BOTTOM VIEW

INTRODUCTION: *Optional Accessories (Stainless Steel Phone Booth)*

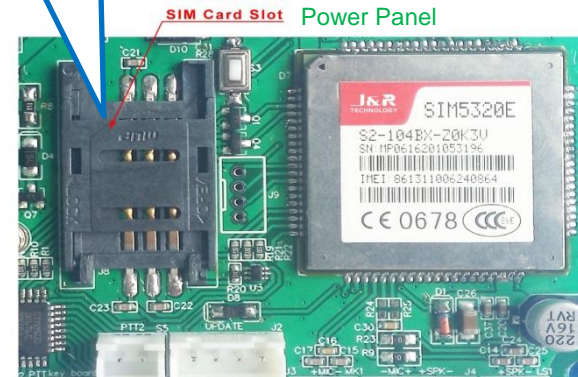
The stainless Steel Phone Booth is specially design for GEP360 used at the outdoor environment for the extra weather-proof and vandal-proof protection.



INTRODUCTION: Power Connection & SIM Card

Before start to use the 3G Emergency Phone, please complete the following tasks. See the Getting Started Guide that came with your device.

SIM Card Slot



- A. Insert the SIM card
- B. Setup and connect the 3G external antenna
- C. Setup and connect the Solar Power Panel

After you turn on the Emergency Phone, you will see the following:

LED indicators description:

Power ON with Red, Green indicators OFF.

Search Network with Green indicator flashing.

Registered with Network (Ready) with Red indicator flashing

TING - SMS Programming (Change New Password)

The emergency phone allows you to program and to change setting by sending SMS message. Here is the SMS programming instruction for emergency phone:

Note: Factory default password is **9999**.

Here is the SMS command format:

Password#Command Type Date#

To reset to the emergency phone to factory default password:

The command type is ***#000#** for reset the factory password.

Send SMS to emergency phone:

***#000#**

SMS response message from emergency phone:

***#000# OK**

To change new password:

The old password is 9999. The command type is 00 for change new password. The data is 1325 for the new password.

Send SMS to emergency phone:

9999#001325#

SMS response message from emergency phone:

9999#001325# OK

SYSTEM SETTING - SMS Programming (Change Emergency Phone No.)

To set emergency phone number:

The password is 1325. The command type is 11 for setting emergency phone number. The data is 911 for the emergency phone number.

Send SMS to emergency phone:

1325#11911#

SMS response message from emergency phone:

1325#11911# OK

Note: You can program the emergency phone number up to 14 digits.

To delete emergency phone number:

The password is 1325. The command type is 11 for delete emergency phone number. To delete the emergency phone number no need data after 11.

Send SMS to emergency phone:

1325#11#

SMS response message from emergency phone:

1325#11911# OK

SYSTEM SETTING – SMS Programming (Change Mic. ,Speaker Volume)

To set Microphone Volume:

The password is 1325. The command type is 34 for setting Microphone Volume. The data is 4 for Microphone Volume at level 6.

Send SMS to emergency phone:

1325#346#

SMS response message from emergency phone:

1325#346# OK

Note: The Microphone volume level from 1 to 9, default level is 5 and level 9 is the highest level.

To set Speaker Volume:

The password is 1325. The command type is 33 for setting Speaker Volume. The data is 4 for Microphone Volume at level 6.

Send SMS to emergency phone:

1325#336#

SMS response message from emergency phone:

1325#336# OK

Note: The speaker volume level from 1 to 9, default level is 5 and level 9 is the highest level.

SYSTEM SETTING – SMS Programming (Change Auto Hang-up Time)

To set Talking Time:

The password is 1325. The command type is 20 for setting Auto Hang-up Time. The data is 5 for auto hang-up time limited on 5 minutes.

Send SMS to emergency phone:

1325#205#

SMS response message from emergency phone:

1325#205# OK

Note: The talking time can be limited from 1-255 minutes, 0= no limit, default value is 0.

SYSTEM SETTING – SMS Programming (Change Auto Hang-up Time)

To check emergency phone number:

The password is 1325. The command type is 35 for obtaining the emergency phone number. In case you can check the existing emergency phone number, you can use this function.

Send SMS to emergency phone:

1325#205#

SMS response message from emergency phone:

1325#205# OK

Note: The talking time can be limited from 1-255 minutes, 0= no limit, default value is 0

SYSTEM SETTING – SMS Programming (Manual Queries)

To check emergency phone number:

The password is 1325. The command type is 35 for obtaining the emergency phone number. In case you can check the existing emergency phone number, you can use this function.

Send SMS to emergency phone:

1325#35#

SMS response message from emergency phone:

911

To check reception level (signal level):

The password is 1325. The command type is 36 for obtaining the emergency phone reception level.. In case you can check the existing emergency phone reception level, you can use this function.

Send SMS to emergency phone:

1325#36#

SMS response message from emergency phone:

26

SYSTEM SETTING – SMS Programming (Self-report setting)

To set service phone number (To receive the self-report message):

The password is 1325. The command type is 50 for setting service phone number. The data is 13537685 for the service phone number.

In case you can receive the existing emergency phone alert report, you can use this function.

Send SMS to emergency phone:

1325#5013537685#

SMS response message from emergency phone:

1325#5013537685

Note: You can program the emergency phone number up to 14 digits.

To set a voltage for low battery report (only for solar powered system):

The password is 1325. The command type is 51 for setting an alert voltage. The data is 9(V) for the low battery report.

In case you can receive the existing emergency phone alert report of low battery, you can use this function.

Send SMS to emergency phone:

9999#001325#

SMS response message from emergency phone:

9999#001325# OK

Note: You can program the alert voltage from 6 to 11 (V).

To set a reception level for low reception report:

The password is 1325. The command type is 42 for setting a reception level. The data is 13 for the low reception report.

In case you can receive the existing emergency phone alert report of low reception, you can use this function.

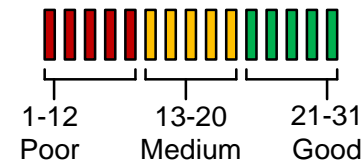
Send SMS to emergency phone:

1325#4213#

SMS response message from emergency phone:

1325#4213# OK

The reception levels of the emergency phone are between 1 and 31



Note: You can program the alert reception levels from 10 to 20, default alert level is 15.

Reception levels below 14 can cause problems with poor quality audio, no audio coming from the microphone on the intercom (the person on the phone cannot hear anything), or buzz on the loud speaker.

TIP: If reception levels are low, take action now! Either increase the height of the antenna to improve reception or request a higher gain antenna from your distributor or change to another network which may have better coverage

SYSTEM SETTING – SMS Programming (Restore Factory Settings)

To reset to the emergency phone to factory default setting:

The password is 1325. The command type is 99 for restore factory settings.

Send SMS to emergency phone:

1325#99#

SMS response message from emergency phone:

1325#99# OK

SYSTEM SETTING – SMS Programming (Error Messages)

You will receive messages with an Error behind your programming messages, when your commands are wrong.

Wrong Password

SMS response message from emergency phone:

1555#99# Error

Wrong Command

SMS response message from emergency phone:

1325#885# Error

SPECIFICATIONS

ITEM	DESCRIPTION
Frequency Band	Quad-Band:
	GSM/GPRS/EDGE 850/900/1800/1900MHz
	Dual-Band: UMTS/HSDPA 900/2100MHz
Transmitting Power	Class 4(2 Watt) at GSM 850MHz and 900MHz
	Class (1 Watt) at DCS 1800MHz and PCS 1900MHz
LED Indicators	GSM Status Display
Speaker Output	9 adjustable volume levels
Microphone Input	9 adjustable volume levels
Adjust the volume automatically	The environment and SMS Control
Relay Output	1 relay output (Normal-close) for door lock
Power Supply	Input voltage DC 6V to 16V
Power Consumption	Standby: < 12V / 30mA
	Working < 12V / 200mA
Operating Temperature	-35°C ~ +80°C
Remote Programming	Support SMS Programming
CPU Board Module	100,000 hr (12yr) (min)
Certificate	CE
Protection Rating	IP65-IP66